



California Faucets®

Decorative Grab Bar

SMOOTH END WITH SQUARE BASE

Features

- All brass construction
- 1-1/4" diameter bar
- Concealed mounting
- Mounting hardware included

9412D-77
9418D-77
9424D-77
9430D-77
9436D-77
9442D-77
9448D-77

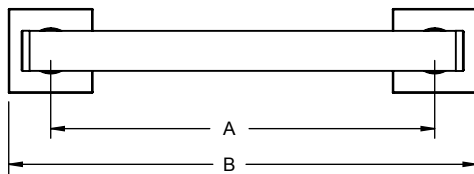


Codes/Standards Applicable

Product meets or exceeds the following:

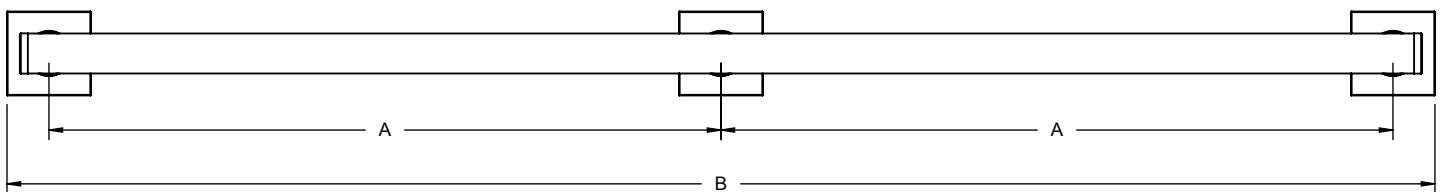
- ADA compliant

9418D-77 SHOWN

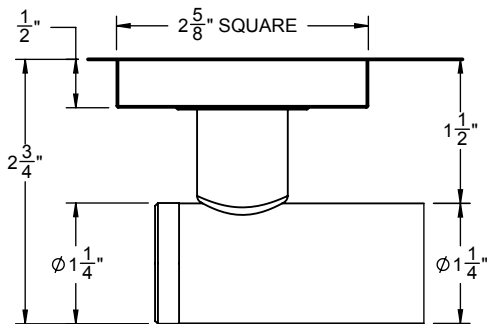


FRONT VIEW
(2 POST)

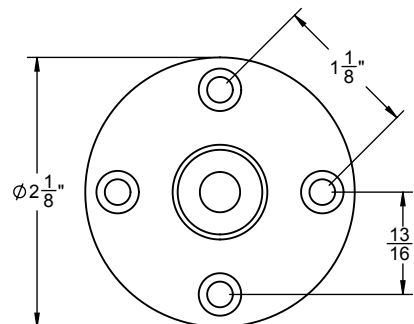
	DECORATIVE GRAB BAR	DIM. A	DIM. B
2 POST	9412D-77	12"	14 ⁵ / ₈ "
	9418D-77	18"	20 ⁵ / ₈ "
	9424D-77	24"	26 ⁵ / ₈ "
	9430D-77	30"	32 ⁵ / ₈ "
	9436D-77	36"	38 ⁵ / ₈ "
3 POST	9442D-77	21"	44 ⁵ / ₈ "
	9448D-77	24"	50 ⁵ / ₈ "



FRONT VIEW
(3 POST)



TOP VIEW



WALL MOUNT FLANGE

- (8X) - 2 POST GRAB BAR
#8 X 1-3/4" PHILLIPS HEAD SCREW
- (12X) - 3 POST GRAB BAR
#8 X 1-3/4" PHILLIPS HEAD SCREW

SPECIFICATIONS SUBJECT TO CHANGE WITHOUT NOTICE

ALL DIMENSIONS SHOWN TO NEAREST 1/16"